

Cone Points



Description

Cone points are designed for puncturing, spreading and compressing samples.

Applications

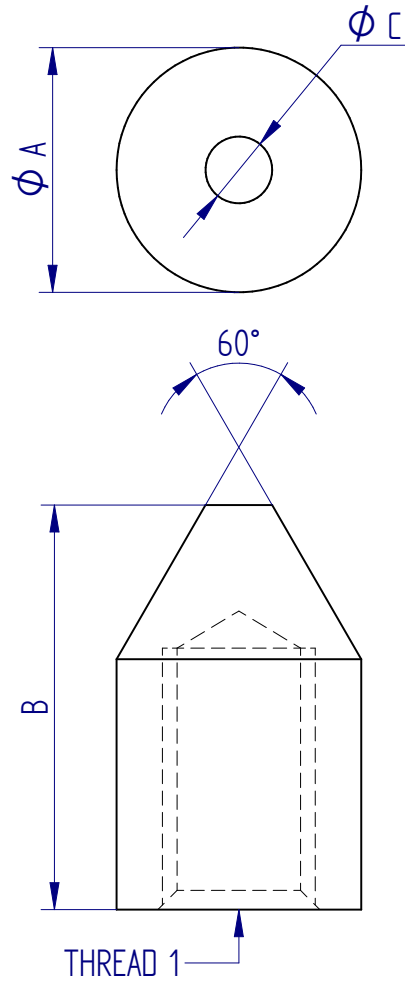
Used for compression testing of:

- Packaging
- Food products
- Cosmetics

Specifications

Part No.	Load Capacity	Thread 1	Diameter (ØA)	Length (B)	Diameter (ØC)	Weight
432-358	500 N / 50 kgf / 110 lbf	10-32 UNF	8 mm (0.31")	14 mm (0.55")	0.5 mm (0.02")	2 g (0.004 lb)
432-359	2.5 kN / 250 kgf / 550 lbf	5/16 UNC	12 mm (0.47")	21mm (0.83")	3.5 mm (0.14")	12 g (0.020 lb)

Dimensions mm (inch)



FS 58553

DISTRIBUTOR STAMP

Mecmesin reserves the right to alter equipment specifications without prior notice.
E&OE

Head Office
Mecmesin Limited

w: www.mecmesin.com
e: sales@mecmesin.com

France
Mecmesin France

w: www.mecmesin.com/fr
e: contact@mecmesin.fr

Germany
Mecmesin GmbH

w: www.mecmesin.com/de
e: info@mecmesin.de

North America
Mecmesin Corporation

w: www.mecmesin.com
e: info@mecmesincorp.com

Asia
Mecmesin Asia Co., Ltd

w: www.mecmesin.com/th
e: sales@mecmesinasia.com

China
Mecmesin (Shanghai) Pte Ltd

w: www.mecmesin.com/zh
e: sales@mecmesin.cn