

Self-levelling Compression Plates



Description

Self-levelling compression plates are ideal for general compression testing on a range of materials and finished products. Self-levelling allows parallelism to be set for those applications where it is critical to accurately measure the deformation of a sample, or where the sample has faces that are not exactly parallel and conventional plates would put an undue load on a very small area, causing a premature failure.

Supplied individually.

Applications

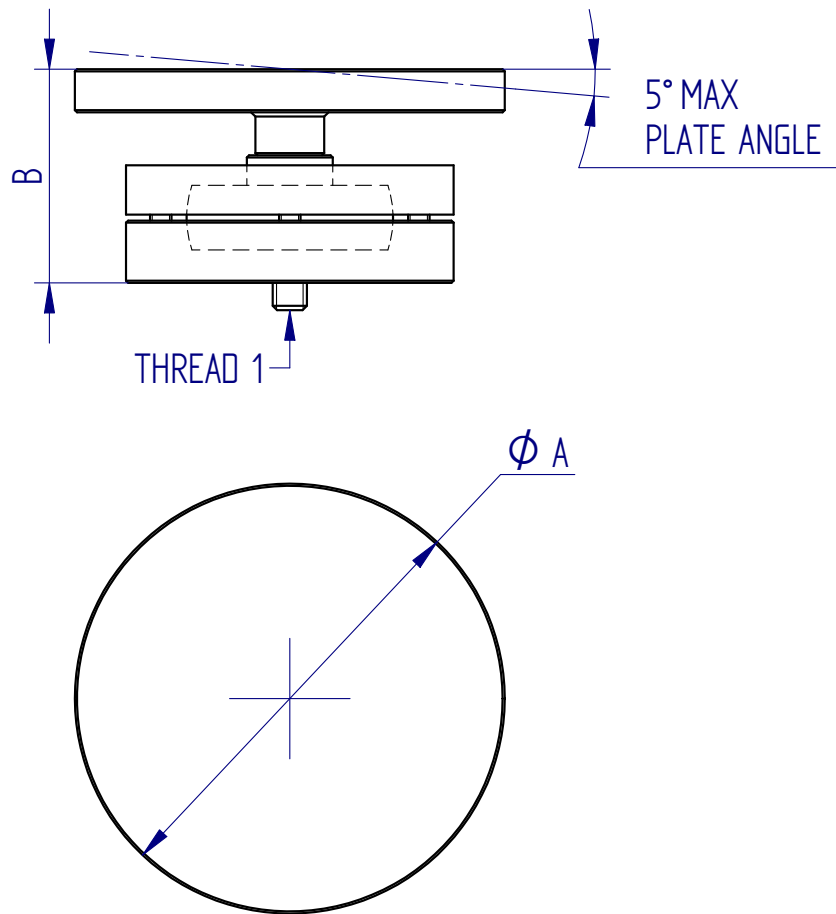
Used for compression testing of:

- metals
- cylinders
- springs
- cans
- polymer foams
- curve-faced samples

Specifications

Part No.	Load Capacity	Thread 1	Diameter (ØA)	Height (B)	Weight
432-349	5 kN / 500 kgf / 1100 lbf	10-32 UNF	50 mm (1.97")	38 mm (1.50")	450 g (0.99 lb)
432-350	5 kN / 500 kgf / 1100 lbf	5/16 UNC	70 mm (2.76")	50 mm (1.97")	—
432-351	5 kN / 500 kgf / 1100 lbf	5/16 UNC	100 mm (3.94")	50 mm (1.97")	—
432-352	5 kN / 500 kgf / 1100 lbf	5/16 UNC	175 mm (6.89")	50 mm (1.97")	2.2 kg (4.9 lb)

Dimensions mm (inch)



DISTRIBUTOR STAMP

Mecmesin reserves the right to alter equipment specifications without prior notice.
E&OE



FS 58553

Head Office
Mecmesin Limited

w: www.mecmesin.com
e: sales@mecmesin.com

North America
Mecmesin Corporation

w: www.mecmesin.com
e: info@mecmesincorp.com

France
Mecmesin France

w: www.mecmesin.com/fr
e: contact@mecmesin.fr

Asia
Mecmesin Asia Co., Ltd

w: www.mecmesin.com/th
e: sales@mecmesinasia.com

Germany
Mecmesin GmbH

w: www.mecmesin.com/de
e: info@mecmesin.de

China
Mecmesin (Shanghai) Pte Ltd

w: www.mecmesin.com/zh
e: sales@mecmesin.cn