

Torque Fixing Tables

Mecmesin offers Torque Fixing Tables which have been developed specifically to fit to the Vortex or Helixa range of Torque Testers. Upper Fixing Tables connect directly to the respective torque sensor and Lower Fixing Plates connect to the motor spindle of the Vortex or Helixa.

Upper and Lower Fixing Tables can be used in combination with each other. Alternatively they can be used individually in conjunction with other torque grips or custom fixtures. They are a useful general-purpose grip offering highly versatile clamping of specimens, being fully adjustable to accommodate a variety of forms.



Upper Fixing Table (Vortex)
Part no: 432-321)



Lower Precision Fixing Table (Helixa) shown with V-jaws fitted. Part nos: 432-600 and 432-602 (photo is helixa-bottle-mandrel.png)

Description

Four rubber-coated pegs are available with each Fixing Table and are screwed into appropriate threaded holes to suit your specimen dimensions. The pegs are then tightened using the handle and leadscrew to secure the specimen in place. Alternatively you can use the threaded holes to secure your own custom-made jaws.

Note: to avoid the risk of damaging the torque sensor by excessive tightening it is recommended that the Upper Fixing Table only be used with sensors of 6 N.m and above.

In situations where torque is significant and specimens are of particularly awkward shape or have a smooth finish, it is often preferable to develop a custom gripping solution. If you are in any doubt please consult Mecmesin's experienced application engineers for advice.

Specifications

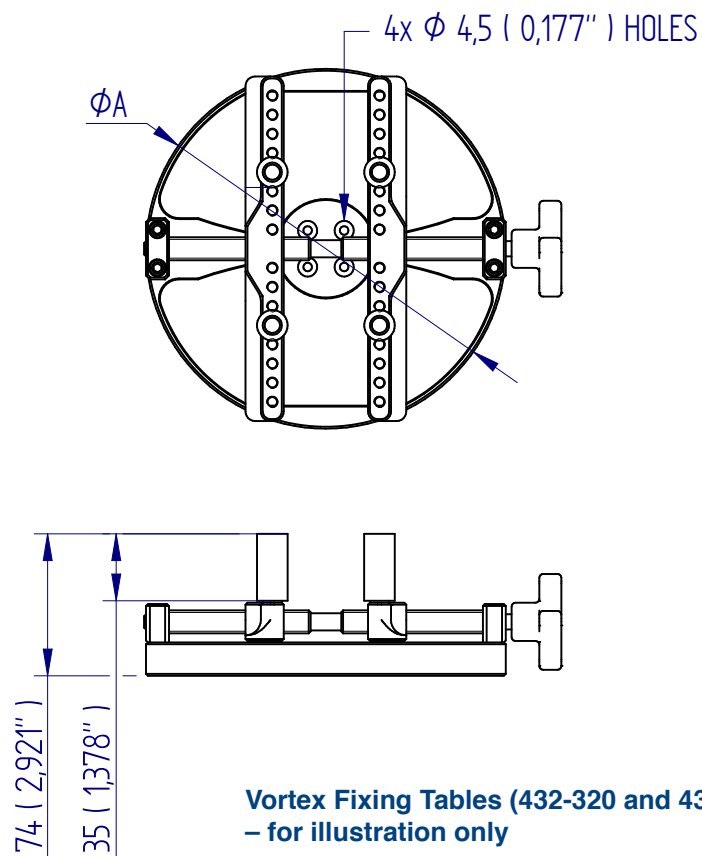
Vortex

Part no:	Type	Thread 1	Max & Min opening diameter	Plate diameter (A)	Height	Weight	Fixing pegs (35mm high)
432-320	Lower Fixing Table	4 x M4	10 - 190 mm	188 mm	35 mm	950 g	included
432-321	Upper Fixing Table	4 x M4	10 - 78 mm	100 mm	35 mm	475 g	included

Helixa

Part no:	Type	Thread 1	Max & Min opening diameter	Plate diameter (A)	Height	Weight	Fixing pegs (35mm high)
432-600	Precision Lower Fixing Table	4 x M4	20 - 100 mm	100 mm	40 mm	335 g	order separately
432-601	Precision Upper Fixing Table	4 x M4	20 - 100 mm	100 mm	40 mm	335 g	order separately
432-602	V-shape rubber jaws for above tables - reversible	4 x M6	120° jaws : 1 - 30 mm 90° jaws: 1 - 25 mm	-	20 mm	50 g	-
432-447	Fixing pegs (rubber-coated)	4 x M6	-	-	30 mm	126 g	-
432-250	Fixing pegs (rubber-coated)	4 x M6	-	-	100 mm	312 g	-

Dimensions mm (inch)



FS 58553

Mecmesin reserves the right to
alter equipment specifications
without prior notice.

E&OE

DISTRIBUTOR STAMP

Head Office - UK
Mecmesin Limited

w: www.mecmesin.com
e: sales@mecmesin.com

North America
Mecmesin Corporation

w: www.mecmesincorp.com
e: info@mecmesincorp.com

France
Mecmesin France

w: www.mecmesin.fr
e: contact@mecmesin.fr

Asia
Mecmesin Asia Co., Ltd

w: www.mecmesinasia.com
e: sales@mecmesinasia.com

Germany
Mecmesin GmbH

w: www.mecmesin.de
e: info@mecmesin.de

China
Mecmesin (Shanghai) Pte Ltd

w: www.mecmesin.cn
e: sales@mecmesin.cn