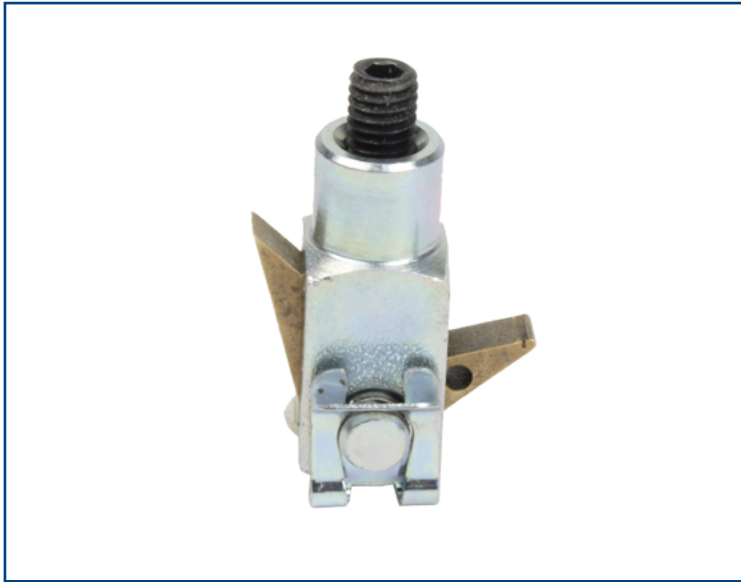


Flip Cap Accessory



Description

Designed to easily fit under bottle flip caps when testing their opening force.

Applications

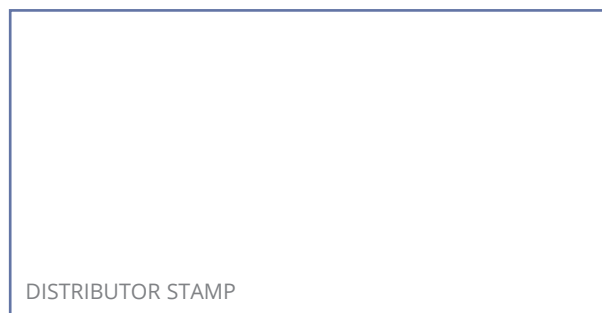
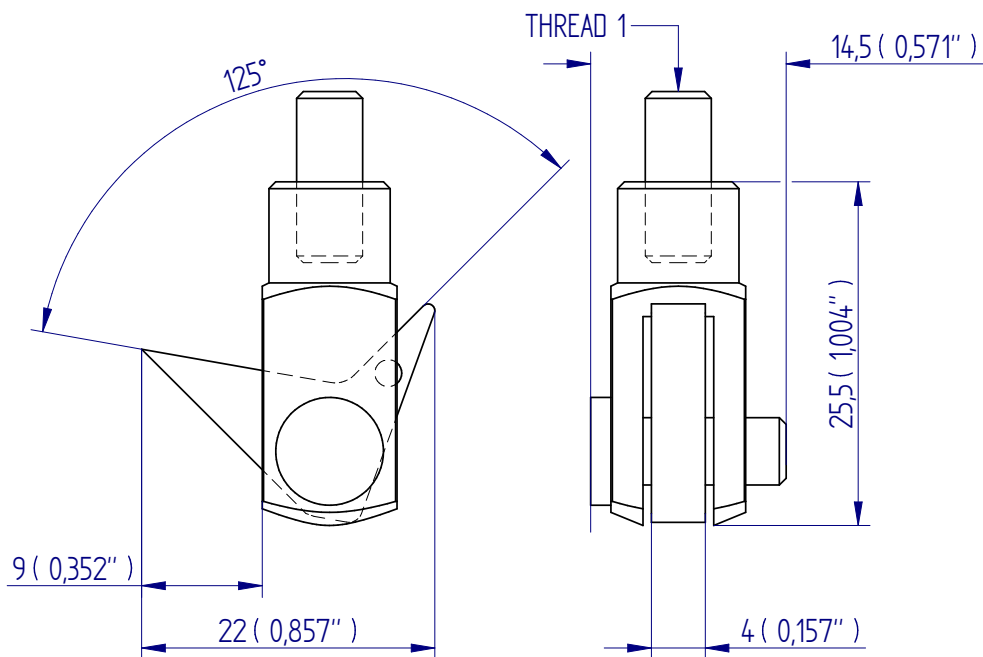
Used for general purpose tensile testing of:

- flip caps used in packaging

Specifications

Part No.	Load Capacity	Thread 1	Hook Depth	Hook Width	Length	Weight
432-419	100 N / 10 kgf / 22 lbf	10-32 UNF	22 mm (0.857")	4 mm (0.16")	25.5 mm (1.00")	17 g (0.04 lb)

Dimensions mm (inch)



Mecmesin reserves the right to alter equipment specifications without prior notice.
E&OE

Head Office
Mecmesin Limited

w: www.mecmesin.com
e: sales@mecmesin.com

France
Mecmesin France

w: www.mecmesin.com/fr
e: contact@mecmesin.fr

Germany
Mecmesin GmbH

w: www.mecmesin.com/de
e: info@mecmesin.de

North America
Mecmesin Corporation

w: www.mecmesin.com
e: info@mecmesincorp.com

Asia
Mecmesin Asia Co., Ltd

w: www.mecmesin.com/th
e: sales@mecmesinasia.com

China
Mecmesin (Shanghai) Pte Ltd

w: www.mecmesin.com/zh
e: sales@mecmesin.cn