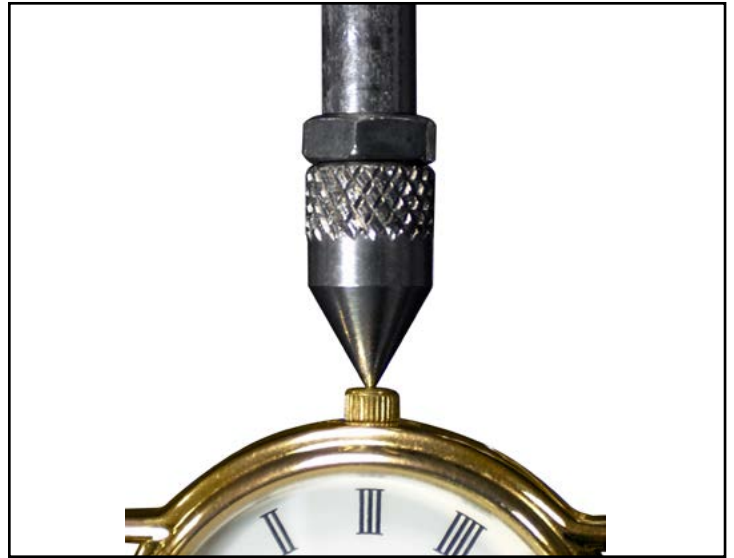


Cone Points



Description

Cone points are designed for puncturing, spreading and compressing samples.

Applications

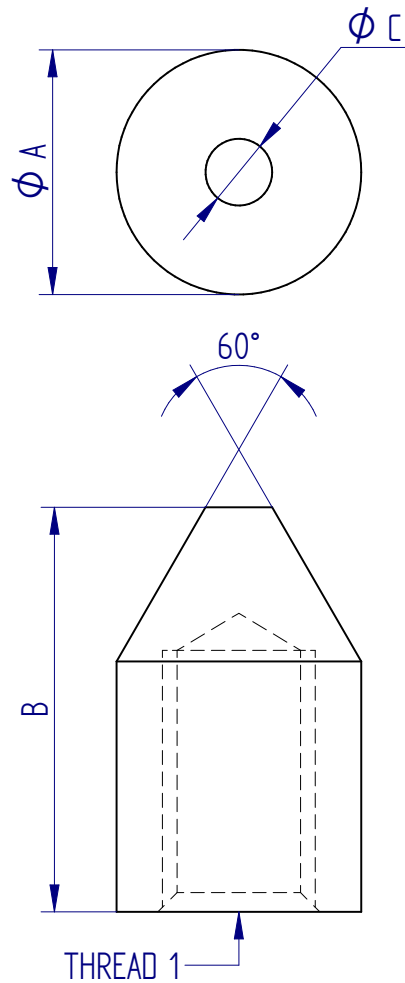
Used for compression testing of:

- Packaging
- Food products
- Cosmetics

Specifications

Part No.	Load Capacity			Thread 1	Diameter (ØA)		Length (B)		Diameter (ØC)		Weight	
	500 N	50 kgf	110 lbf		8 mm	0.31"	14 mm	0.55"	0.5 mm	0.02"	2 g	0.004 lb
432-358	500 N	50 kgf	110 lbf	10-32 UNF	8 mm	0.31"	14 mm	0.55"	0.5 mm	0.02"	2 g	0.004 lb
432-359	2.5 kN	250 kgf	550 lbf	5/16 UNC	12 mm	0.47"	21mm	0.83"	3.5 mm	0.14"	12 g	0.020 lb

Dimensions mm (inch)



FS 58553

Mecmesin reserves the right to alter equipment specifications without prior notice.

E&OE

DISTRIBUTOR STAMP

Head Office - UK Mecmesin Limited

w: www.mecmesin.com
e: sales@mecmesin.com

North America Mecmesin Corporation

w: www.mecmesincorp.com
e: info@mecmesincorp.com

France Mecmesin France

w: www.mecmesin.fr
e: contact@mecmesin.fr

Asia Mecmesin Asia Co., Ltd

w: www.mecmesinasia.com
e: sales@mecmesinasia.com

Germany Mecmesin GmbH

w: www.mecmesin.de
e: info@mecmesin.de

China Mecmesin (Shanghai) Pte Ltd

w: www.mecmesin.cn
e: sales@mecmesin.cn