

Self-levelling Compression Plates, QC fitting

MecS223

Self-levelling compression plates are ideal for precise compression testing on a range of materials and finished products. Self-levelling allows exact parallelism to be set between the upper and lower plates.. ideal for those applications where it is critical to accurately measure the deformation of a sample.

The MecS223 range of hardened steel self-levelling plates features a spherical seating mechanism which allows the plate to 'float' and adjust to the specimen geometry during the compression test. Alternatively there are 4 nuts which can lock the self-levelling plate in position when it has been set completely parallel to the opposite 'fixed' plate (type Mec23).

MecS223k self-levelling plates are fitted with QC-20mm bore hole adaptors suitable for compressive load applications up to 25kN (eg. metals, rigid plastics etc..)

MecS223g self-levelling plates are fitted with QC-32mm bore hole adaptors suitable for compressive load applications up to 50kN (eg. metals, concrete etc..)

Ordering Information

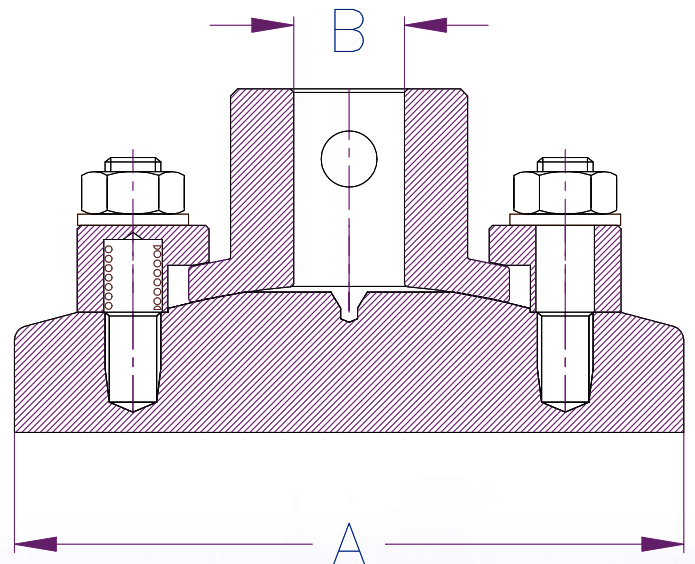
Scope of delivery: 1 plate

| MecS223k for 20 mm coupling (B) | | |
|---------------------------------|--------------|-----------|
| Item No. | Diameter (A) | Weight |
| MecS223k-56 | 56 mm | ~ 1.27 kg |
| MecS223k-96 | 96 mm | ~ 1.4 kg |
| MecS223k-116 | 116 mm | ~ 1.7 kg |
| MecS223k-156 | 246 mm | ~ 2.7 kg |
| MecS223k-196 | 196 mm | ~ 3.95 kg |
| MecS223g for 32 mm coupling (B) | | |
| Item No. | Diameter (A) | Weight |
| MecS223g-56 | 56 mm | ~ 5.3 kg |
| MecS223g-96 | 96 mm | ~ 6.1 kg |
| MecS223g-116 | 116 mm | ~ 6.5 kg |
| MecS223g-156 | 156 mm | ~ 7.1 kg |
| MecS223g-196 | 196 mm | ~ 7.4 kg |

Other dimensions on request



MecS223▲



The fixed plate Mec23 can be combined with a MecS223 self-levelling plate to form a pair of plates between which specimens are compressed.



MecS223k-116



Mec23-56-B-St' Fixed
Compression Plate 56mm diameter
with QC-32mm bore-hole



Mec23-116-B-St' Fixed
Compression Plate 116mm
diameter with QC-20mm bore-hole



MecS223g-56

Examples of MecS223 self-levelling compression plates used in combination with Mec23 'fixed' compression plates



FS 58553

Mecmesin reserves the right to
alter equipment specifications
without prior notice.

E&OE

DISTRIBUTOR STAMP

Head Office - UK Mecmesin Limited

w: www.mecmesin.com
e: sales@mecmesin.com

North America Mecmesin Corporation

w: www.mecmesincorp.com
e: info@mecmesincorp.com

France Mecmesin France

w: www.mecmesin.fr
e: contact@mecmesin.fr

Asia Mecmesin Asia Co., Ltd

w: www.mecmesinasia.com
e: sales@mecmesinasia.com

Germany Mecmesin GmbH

w: www.mecmesin.de
e: info@mecmesin.de

China Mecmesin (Shanghai) Pte Ltd

w: www.mecmesin.cn
e: sales@mecmesin.cn