

Pneumatic Medium Vice Grips, QC fitting

A simple and affordable pneumatic grip in four maximum openings, with one adjusting screw and one pneumatic piston (Ko) or dual pneumatic action (2Ko) alternatives. These grips accept the same jaws as the non-pneumatic Mec240k series. Maximum capacity depends on the jaws used.

Supplied as individual grips.

- Active keeping force: 1.2 kN at 7 bar (2.5 kN at 16 bar with Mec216 compressor)
- Cylinder diameter: 50 mm
- Pneumatic connection: M5 internal thread
- Temperature range: 0°C -70°C
- Body: aluminium, anodised
- Fixing: QC20

For jaws and for non-pneumatic versions of these grips, see datasheet DS-1066, 'Medium single-action vice grips'.

For foot switches, see datasheet DS-1091, 'Dual footswitches'.



Mec240k-S20+Ko



Mec240k-S30+Ko



Mec240k-S50+Ko



Mec240k+2Ko



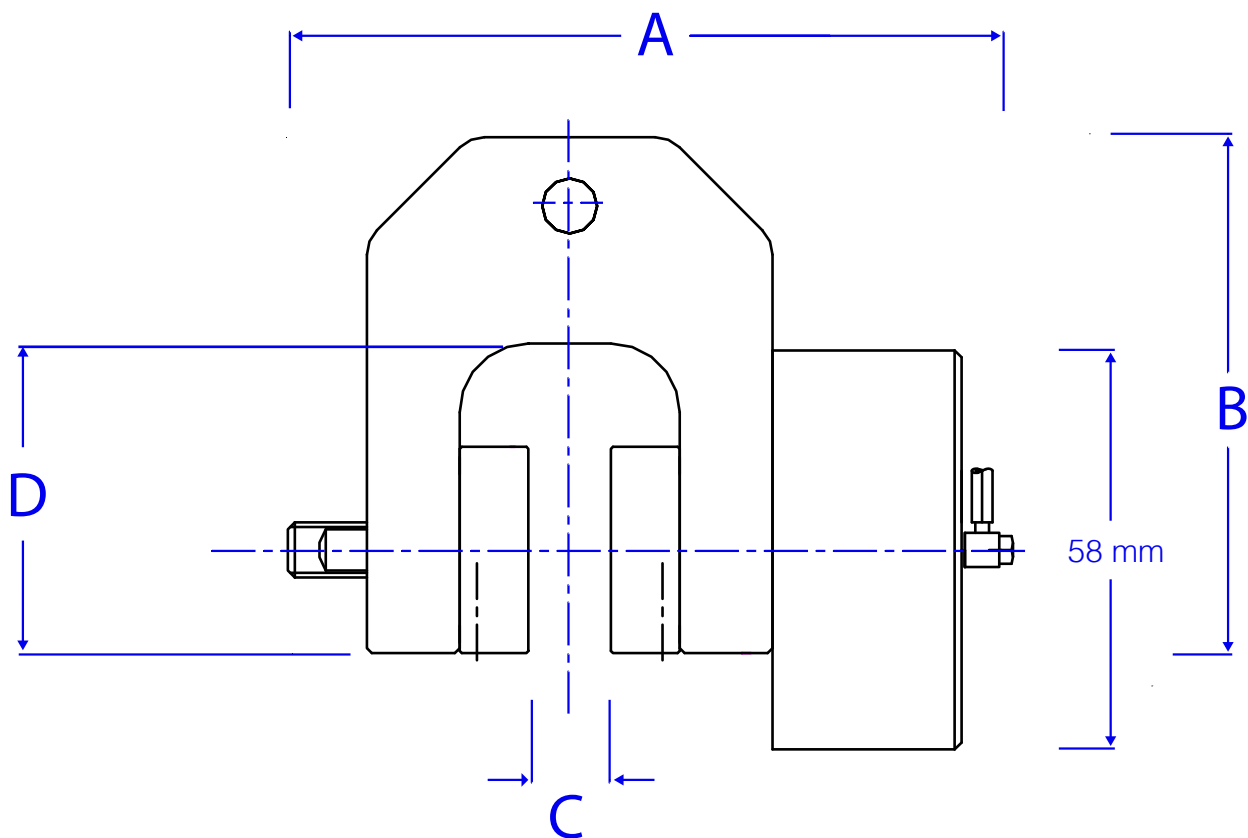
Mec240k-S30+2Ko



Mec240k-S50+2Ko

Item No.	Jaw opening (depends on jaws)	Cylinders	Tensile rating	Width (A)	Height (B)	Depth (D)	Weight (no jaws)
Mec240k+Ko	0 - 10 mm	1	2.5 kN	105 mm	75 mm	45 mm	0.4 kg
Mec240k+2Ko	0 - 10 mm	2	2.5 kN	129 mm	75 mm	45 mm	0.6 kg
Mec240k-S20+Ko	0 - 20 mm	1	1 kN	125 mm	75 mm	41 mm	0.5 kg
Mec240k-S20+2Ko	0 - 20 mm	2	1 kN	152 mm	75 mm	41 mm	0.7 kg
Mec240k-S30+Ko	0 - 30 mm	1	1 kN	120 mm	75 mm	45 mm	0.54 kg
Mec240k-S30+2Ko	0 - 30 mm	2	1 kN	170 mm	75 mm	45 mm	0.74 kg
Mec240k-S50+Ko	0 - 50 mm	1	1 kN	200 mm	78 mm	40 mm	0.8 kg
Mec240k-S50+2Ko	0 - 50 mm	2	1 kN	220 mm	78 mm	40 mm	1.0 kg

Dimensions



FS 58553

Mecmesin reserves the right to alter equipment specifications without prior notice.

E&OE

DISTRIBUTOR STAMP

Head Office - UK Mecmesin Limited

w: www.mecmesin.com
e: sales@mecmesin.com

North America Mecmesin Corporation

w: www.mecmesincorp.com
e: info@mecmesincorp.com

France Mecmesin France

w: www.mecmesin.fr
e: contact@mecmesin.fr

Asia Mecmesin Asia Co., Ltd

w: www.mecmesinasia.com
e: sales@mecmesinasia.com

Germany Mecmesin GmbH

w: www.mecmesin.de
e: info@mecmesin.de

China Mecmesin (Shanghai) Pte Ltd

w: www.mecmesin.cn
e: sales@mecmesin.cn